

❖ **700H10MIR**

700 TVL IR Hidden with 960H Ultra Resolution and Sony Effio DSP Indoor Camera



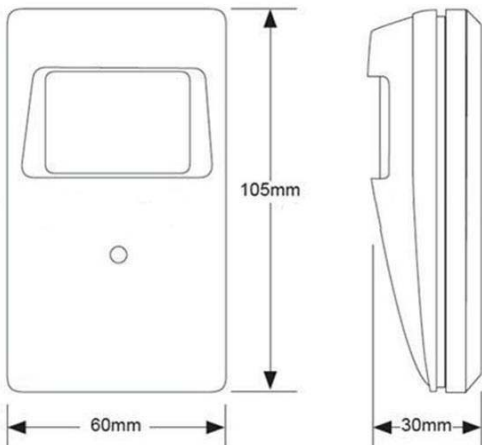
Key Features

- ❖ Original 1/3" SONY Effio CCD
- ❖ High resolution of up to 700 TVL
- ❖ 3.7mm Pinhole Lens
- ❖ 15*F5 LEDs, 10m IR view
- ❖ Day and night PIR type camera
- ❖ OSD manu: 2D-DNR, digital WDR, BLC, SLC, motion detection, privacy mask, etc

700H10MIR	
Camera	
Image Sensor	1/3" Sony Effio CCD
Signal System	PAL/NTSC
Effective Pixels	PAL: 960 (H) × 582 (V) NTSC : 976 (H) × 494 (V)
Horizontal Resolution	700 TVL
Lens	3.7mm Pinhole Lens
LEDs	15 * F5
IR Distance	10 meters
Scanning Area	4.9mm (H) * 3.7mm (V)
Min. Illumination	0 Lux (IR on)
Electronic Shutter	Auto
S/N Ratio	≥ 48 dB
Synchronization	Internal synchronization
Video Output	1Vp-p composite output (75 Ω/BNC)
Day/Night	Color to BW
OSD Manu	Yes
AGC	Auto / Manual
White Balance	ATW / Push / Manual
BLC	OFF / BLC / HLC
Power Supply	12 V DC
Operating Temperature	-10 °C - 50 °C

** Design and specifications and subject to change without notice

Dimensions



** Dimensional Tolerance : ± 5mm