

❖ **720B20MIR**

720 TVL PICADIS Outdoor IR Bullet Camera



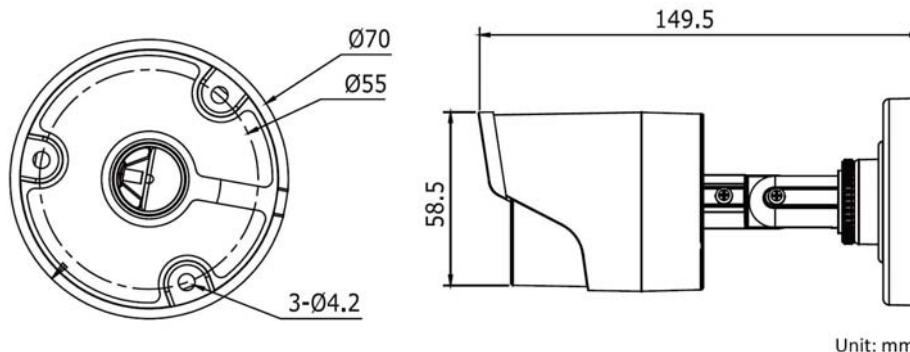
Key Features

- ❖ 1/3" PICADIS
- ❖ 1.3MP Sensor: 1280 (H) x 960 (V) Effective Pixels
- ❖ 720 TVL Horizontal Resolution
- ❖ True Day/Night
- ❖ 2.8mm Fixed Lens, 0.1 lux /F1.2
- ❖ 20m IR Distance
- ❖ Smart IR, high dynamic range
- ❖ Superior video image output and ultra low light illumination
- ❖ Wide operating temperature range
- ❖ IP66 Weatherproof

720B20MIR	
Camera	
Image Sensor	1/3" PICADIS
Signal System	PAL/NTSC
Effective Pixels	1280 (H) × 960 (V)
Min. Illumination	0.1 Lux @ (F1.2,AGC ON) 0.2 0 Lux with IR
Shutter speed	PAL: 1/25 s to 1/25,000 s NTSC: 1/30 s to 1/30,000 s
Lens	2.8mm
Angle of view	92.45° Horizontal 66.43° Vertical
Lens Mount	M12
Angle Adjustment	Pan: 0 - 360°; Tilt: 0 - 90° Rotation: 0 - 360°
Day & Night	IR cut filter with auto switch
Horizontal Resolution	720 TVL
Synchronization	Internal synchronization
Video Output	1Vp-p composite output (75 Ω/BNC)
S/N Ratio	More than 62 dB
General	
Working Temperature/Humidity	-40 °C - 60 °C (-40 °F - 140 °F) Humidity 90% or less (non-condensing)
Power Supply	12 V DC
Power Consumption	Max. 1.5 W (Max. 4.5 W with IR cut filter on)
IR Range	20 meters
Dimensions	Φ70 × 149.5 mm(Φ2.76" × 5.89")
Weight	360 g (0.79 lbs)

** Design and specifications and subject to change without notice

Dimensions



** Dimensional Tolerance : ± 5mm