

❖ CVI-1200B - High Definition

Two Megapixel 1080P Water-Proof HDCVI IR-Bullet Camera



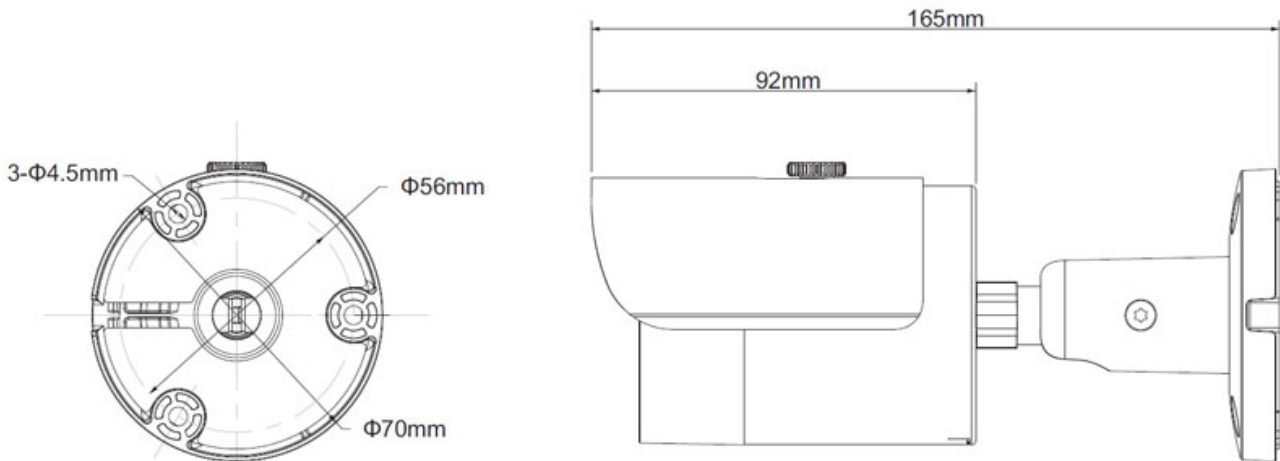
Key Features

- ❖ 1/2.7" Two Megapixel CMOS
- ❖ 25/30fps@1080P
- ❖ High speed, long distance real-time transmission
- ❖ Day/Night (ICR), AWB, AGC, BLC, 2D-DNR
- ❖ 3.6mm fixed lens (6mm optional)
- ❖ Max. IR LEDs Length 30m, Smart IR
- ❖ IP67 Weatherproof, Metal Case

CVI-1100B	
Camera	
Image Sensor	1/2.7" Two Megapixel CMOS
Effective Pixels	1930(H) x 1088(V)
Electronic Shutter	1/50s~1/100,000s
Video Frame Rate	25fps@1080P
Synchronization	Internal
Min. Illumination	0.01Lux@F1.2(AGC ON), 0Lux IR on
Video Output	1-channel BNC HDCVI high definition video output
Camera Feature	
Max. IR LEDs Length	30m, Smart IR
Day/Night	Auto (ICR) / Color / B/W
Noise Reduction	2D
Lens	
Focal Length	3.6mm (6mm)
Angle of View	H: 89.9° (59.4° / 41.4°)
Mount Type	M12
General	
Power Supply	DC12V±20%
Power Consumption	Max. 3.6 W
Working Environment	-30°C ~ +60°C / Less than 95%RH (no condensation)
Transmission Distance	Over 500m via 75-3 coaxial cable
Ingress Protection	IP67
Dimensions	Φ70mm x 165mm
Weight	0.35kg
Material	Metal (body) + Plastic (sun shield)

** Design and specifications and subject to change without notice

Dimensions



** Dimensional Tolerance : ± 5mm