

**❖ CVI-1200D - High Definition**

**Two Megapixel 1080P Water-Proof IR HD CVI-1200D Mini Dome Camera**



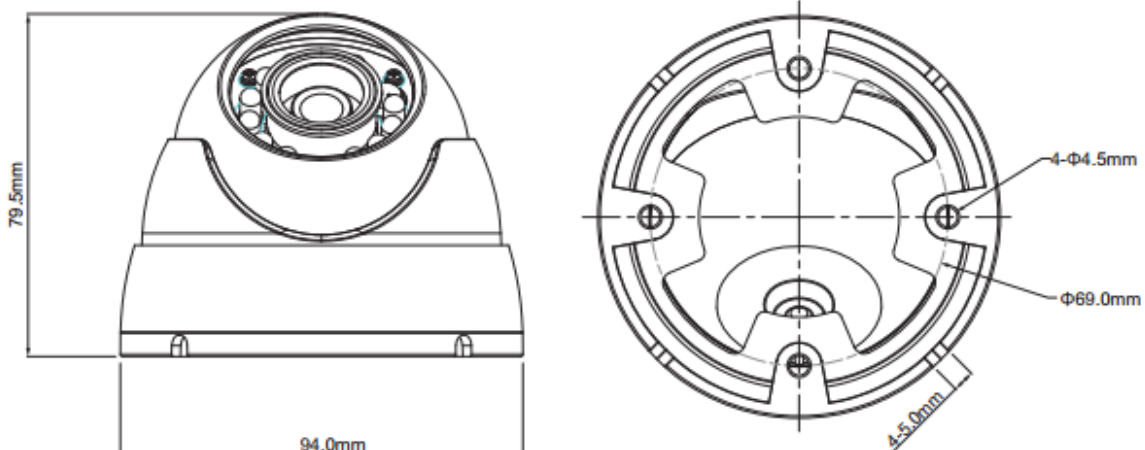
**Key Features**

- ❖ 1/2.7" Two Megapixel CMOS
- ❖ 25/30fps@1080P
- ❖ High speed, long distance real-time transmission
- ❖ Day/Night (ICR), AWB, AGC, BLC, 2D-DNR
- ❖ 3.6mm fixed lens (6mm optional)
- ❖ Max. IR LEDs Length 30m, Smart IR
- ❖ IP67 Weatherproof, Metal Case

<b>CVI-1200D</b>	
<b>Camera</b>	
Image Sensor	1/2.7" Two Megapixel CMOS
Effective Pixels	1930(H) x 1088(V)
Electronic Shutter	1/50s~1/100,000s
Video Frame Rate	25fps@1080P
Synchronization	Internal
Min. Illumination	0.01Lux@F1.2(AGC ON), 0Lux IR on
Video Output	1-channel BNC HDCVI high definition video output
<b>Camera Feature</b>	
Max. IR LEDs Length	30m, Smart IR
Day/Night	Auto (ICR) / Color / B/W
Noise Reduction	2D
<b>Lens</b>	
Focal Length	3.6mm (6mm optional)
Angle of View	H: 89.9° (59.4°)
Mount Type	M12
<b>General</b>	
Power Supply	DC12V±20%
Power Consumption	Max. 2.5 W
Working Environment	-30°C ~ +60°C / Less than 95%RH (no condensation)
Transmission Distance	Over 500m via 75-3 coaxial cable
Ingress Protection	IP67
Dimensions	Φ93.4mm x 79.7mm
Weight	0.35kg
Material	Metal

\*\* Design and specifications and subject to change without notice

**Dimensions**



\*\* Dimensional Tolerance : ± 5mm