



**ID-492** ||

Digital HR Color CCD 12 IR LEDs Camera with SONY Effio DSP (Indoor)

## Features

- 1/3" Color CCD sensor with SONY Effio DSP
- High resolution
- Low light sensitivity of 0.05 Lux, 0 Lux (IR ON)
- Special and Stylish design, suitable for discreet surveillance
- Day and night features for 24-hour surveillance
- Smart Light Control to dynamically adjust image performance for clear and accurate images

# ID-492

Digital HR Color CCD 12 IR LEDs Camera with SONY Effio DSP (Indoor)

## Halogen Lamp

## Artificial Sunlight

ID-492



Conventional



ID-492



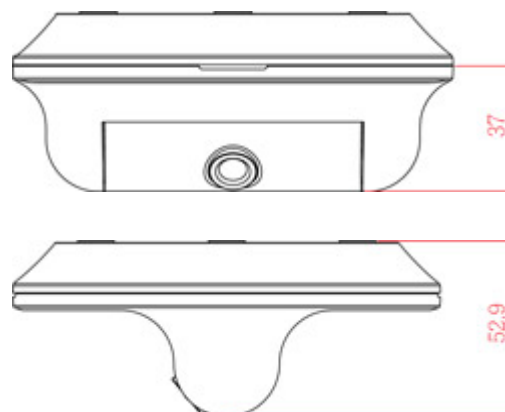
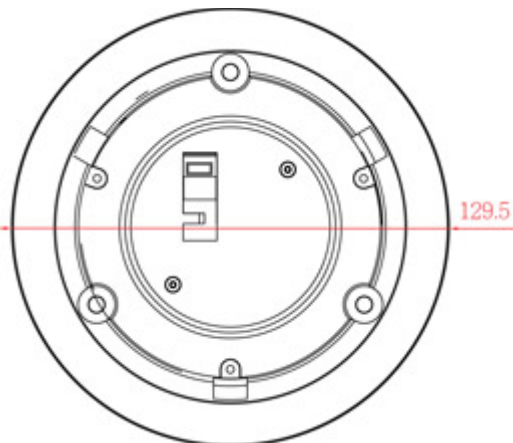
Conventional



## Specification

MODEL	ID-492
Pick up Element	1/3" H.R. Color CCD image sensor with SONY Effio DSP
Number of Pixel	768(H) x 494(V) <NTSC> / 752(H) x 582(V) <PAL>
Resolution	Super high resolution
Min. Illumination	0.05 Lux / F1.5; 0 Lux (IR On)
IR LED	12 units
IR Effective Range	Up to 10 meters
Smart Light Control	YES
S/N Ratio	More than 48dB (AGC off)
Electronic Shutter	1/60 (1/50) to 1/100,000 sec.
Lens	F3.8mm / F1.5
Lens Angle	84.5°
Video Output	1.0 Vp-p composite, 75Ω
Operating Temperature	0°C ~ 40°C
Power Source (±10%)	DC12V / 500mA
Current Consumption (±10%)	60mA (IR OFF). 160mA (IR ON)
Dimensions (MM)**	130 (ψ) x 37 (H)

\*\* Dimensional Tolerance: ± 5mm



\* Design and specifications are subject to change without notice.

**Made in Taiwan** <http://www.iti.com.sg>