



OD-139

Digital HR Color CCD 35 IR LEDs Camera (Outdoor)



Features

- High resolution of 520 TV Line
- High sensitivity in the dark environment, 0.1 Lux / F2.0, 0 Lux (IR ON)
- Day and night features for 24-hour surveillance
- Excellent image quality
- IR distance: up to 25 meters with 35 IR LEDs
- IP67, suitable for outdoor use

Overview

Good Sensitivity in Low Illumination

True Color



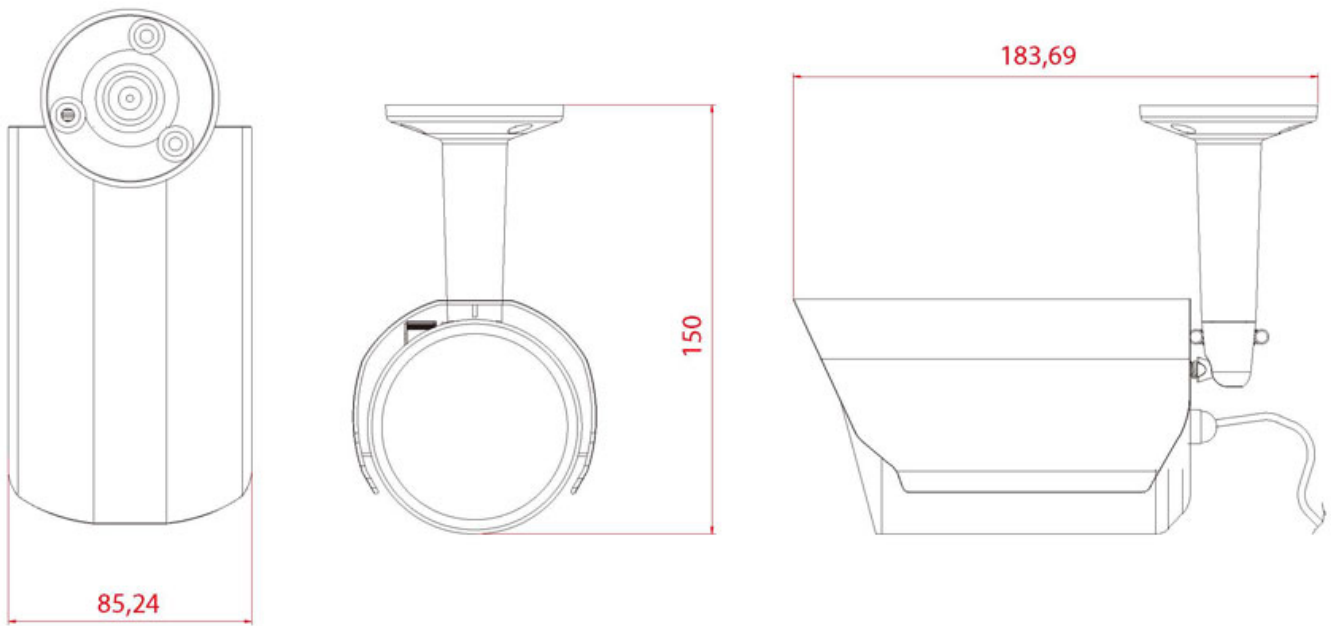
OD-452

Digital HR Color CCD 35 IR LEDs Camera (Outdoor)

Specification

MODEL	OD-139
Pick up Element	1/3" H.R. color CCD image sensor
Number of Pixel	768(H) x 494(V) <NTSC> / 752(H) x 582(V)) <PAL>
Resolution	520 TVL
Min. Illumination	0.1 Lux / F2.0, 0 Lux (IR On)
IR LED	35 units
IR Effective Range	Up to 25 meters
S/N Ratio	More than 48dB (AGC off)
Electronic Shutter	1/60 (1/50) to 1/100,000 sec.
Lens	F3.6mm / F2.0
Lens Angle	92.6°
White Balance	ATW
AGC	Auto
IRIS Mode	AES
IP Rating	IP67
Video Output	1.0 Vp-p composite, 75Ω
Operating Temperature	0°C ~ 40°C
Power Source (±10%)	DC12V
Current Consumption (±10%)	70mA (IR OFF). 400mA (IR ON)
Gross Weight (g)	430
Dimensions (MM)**	115.6(Ø) x 216(H)

** Dimensional Tolerance: ± 5mm



* Design and specifications are subject to change without notice.
Made in Taiwan <http://www.iti.com.sg>