

❖ **OD-462**

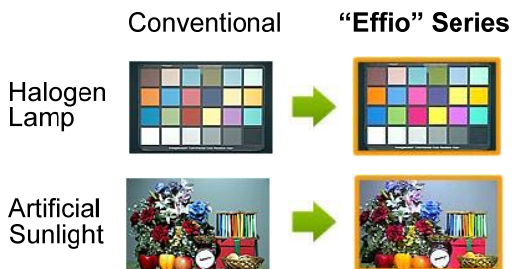
Digital HR Color CCD 35 IR up to 25 Meters with SONY Effio DSP (Outdoor)



Key Features

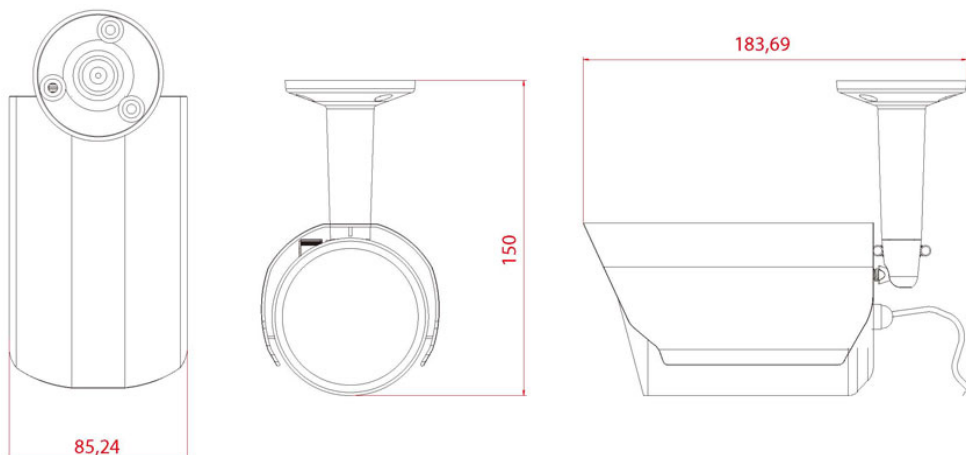
- ❖ 1/3" Color CCD Sensor with SONY Effio DSP
- ❖ High resolution of up to 600 TV Line
- ❖ Low light sensitivity of 0.1 Lux at F2.0 Lux (IR ON)
- ❖ IP67 suitable for outdoor use
- ❖ Day and night features for 24-hour surveillance

OD-462	
Pick up Element	1/3" H.R. Color CCD image sensor with SONY Effio DSP
Number of Pixels	771(H) x 492(V) <NTSC> / 753(H) x 582(V) <PAL>
Min. Illumination	0.05 Lux; 0 Lux (IR ON)
Resolution	Up to 600 TV lines
IR LED	35 units
IR Effective Distance	Up to 25 meters
S/N Ratio	More than 48dB (AGC OFF)
Electronic Shutter	1/60 (1/50) to 1/100,000 sec.
Lens	F6.0mm / F1.4
Lens Angle	54°
Color Rolling Suppress	YES
IRIS Mode	AES
AGC	Auto
White Balance	ATW
Video Output	1.0 Vp-p composite, 75Ω
Startup Temperature	0°C ~ 40~C
Operating Temperature	-20°C ~ 40~C
Power Source (±10%)	DC12V
Current Consumption (±10%)	70mA (IR OFF), 400mA (IR ON)
Dimensions (mm)**	142(H) x 75(Φ)
IP Rating	IP67



** Design and specifications and subject to change without notice

Dimensions



** Dimensional Tolerance: ± 5mm