



OD-472 

Digital HR Color CCD 56 IR LEDs up to 40 Meters (Outdoor)

Features

- 1/3" H.R. color CCD image sensor
- 520 TVL H.R. with best Video Performance
- Low Lux Performance with large aperture lens, High sensitivity in the dark environment, 0.1 Lux / F1.4, 0 Lux (IR ON)
- IR distance: up to 40 meters with 56 IR LEDs
- Smart Light Control design to avoid overexposure
- Day and night features for 24-hour surveillance
- IP67, suitable for outdoor use
- Cable management to prevent intentional cable damaging

OD-472

Digital HR Color CCD 56 IR LEDs up to 40 Meters (Outdoor)

Overview

True Day & Night Surveillance



S.L.C. (Smart Light Control)



Longer IR effective Distance up to 40 Meters



iTi

Other Brand

520 TVL H.R with best Video Performance



iTi

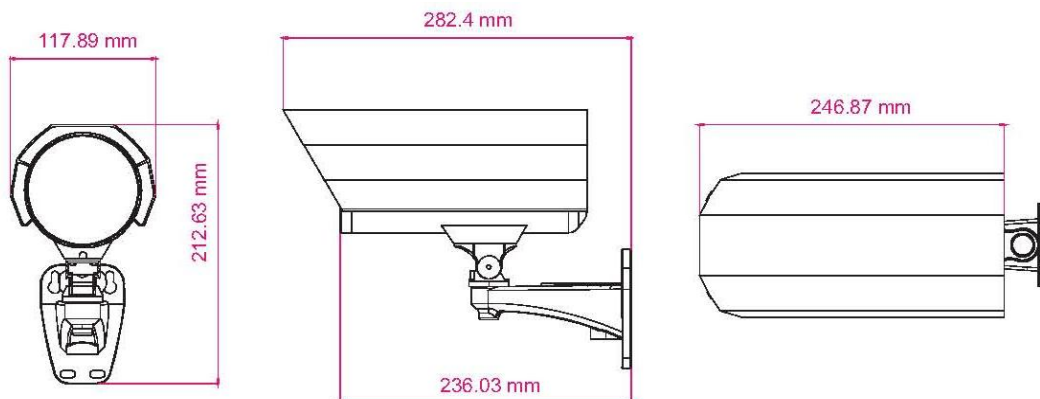
Other Brand

Specification

MODEL	OD-472
Pick up Element	1/3" H.R. color CCD image sensor
Number of Pixel	768(H) x 494(V) <NTSC> / 752(H) x 582(V) <PAL>
Resolution	520 TVL
Min. Illumination	0.1 Lux / F1.4, 0 Lux (IR On)
IR LED	56 units
IR Effective Range	Up to 40 meters
Smart Light Control	YES
S/N Ratio	More than 48dB (AGC off)
Electronic Shutter	1/60 (1/50) to 1/100,000 sec.
Lens	F6.0mm / F1.4
Lens Angle	62°
White Balance	ATW
AGC	Auto
IRIS Mode	AES
IP Rating	IP67
Video Output	1.0 Vp-p composite, 75Ω
Operating Temperature	0°C ~ 40°C
Power Source (±10%)	DC12V / 1A
Current Consumption (±10%)	70mA (IR OFF). 590mA (IR ON)
Dimensions (MM)**	115.6(Ø) x 216(H)

** Dimensional Tolerance: ± 5mm

3D Dimensions



* Design and specifications are subject to change without notice.

Made in Taiwan <http://www.iti.com.sg>