

❖ CVI-1100D - High Definition

One Megapixel Water-Proof IR HDCVI-1100 Mini Dome Camera



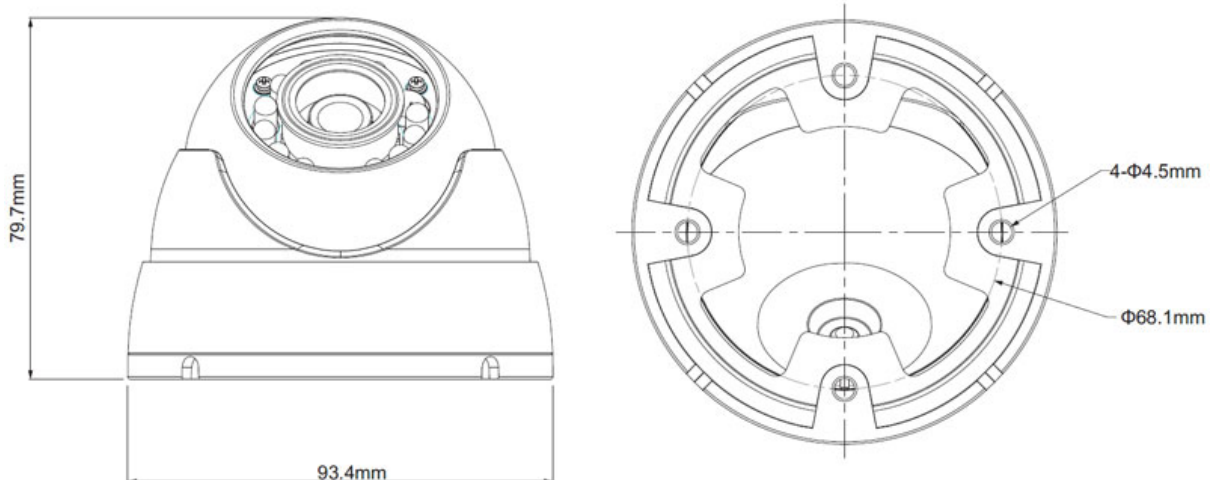
Key Features

- ❖ 1/2.9" One Megapixel CMOS
- ❖ 25/30fps@CVI-1100
- ❖ High speed, long distance real-time transmission
- ❖ Day/Night (ICR), AWB, AGC, BLC
- ❖ 3.6mm fixed lens (2.8mm, 6mm optional)
- ❖ Max. IR LEDs Length 30m, Smart IR
- ❖ IP67 Weatherproof, Metal Case

CVI-1100D	
Camera	
Image Sensor	1/2.9" One Megapixel CMOS
Effective Pixels	1280(H) x 720(V)
Electronic Shutter	1/50s~1/100,000s
Video Frame Rate	25fps@CVI-1100
Synchronization	Internal
Min. Illumination	0.01Lux@F1.2(AGC ON), 0Lux IR on
Video Output	1-channel BNC HDCVI high definition video output
Camera Feature	
Max. IR LEDs Length	30m, Smart IR
Day/Night	Auto (ICR) / Color / B/W
Noise Reduction	2D
Lens	
Focal Length	2.8mm (3.6mm, 6mm)
Angle of View	H: 103.4° (79.7° / 52.5°)
Mount Type	M12
General	
Power Supply	DC12V±10%
Power Consumption	Max. 2.5 W
Working Environment	-30°C ~ +60°C / Less than 95%RH (no condensation)
Transmission Distance	Over 800m via 75-3 coaxial cable
Ingress Protection	IP67
Dimensions	Φ93.4mm x 79.7mm
Weight	0.35kg
Material	Metal

** Design and specifications and subject to change without notice

Dimensions



** Dimensional Tolerance : ± 5mm