

❖ **iTi-IP-4200D-A**

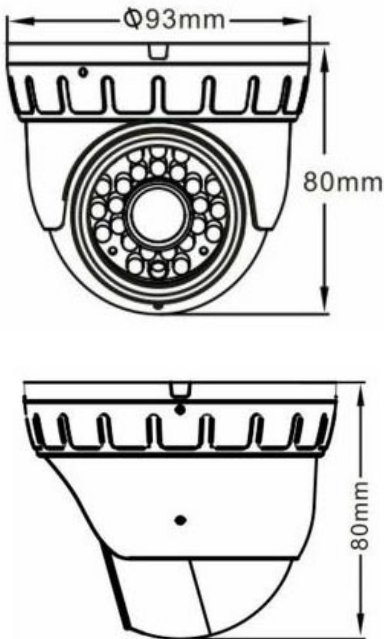
2 Megapixel Full HD Network Small IR Doom Camera with Audio



Key Features

- ❖ 1/2.7" CMOS Digital Image Sensor (Sony IMX122)
- ❖ 2.0 Megapixel Full HD
- ❖ Support Audio
- ❖ Low illumination
- ❖ Max. IR LEDs length 30m
- ❖ IP66, PoN

Dimensions



* Dimensional Tolerance : ± 5mm

iTi-IP-4200D-A	
Camera	
Image Sensor	1/2.7" CMOS Digital Image Sensor (Sony IMX122)
Effective Pixels	1920 (H) × 1080 (V)
Minimum illumination	0.05 Lux (Color Mode) F1.8 0.01 Lux (BW mode) F1.8
S/N	≥ 45db
IR	> 20M, 12 pcs LED
IR-Cut	Color to BW:2Lux BW to Color: 6Lux
Optical Lens	
Interface	M12
Lens	Fixed Iris Lens F1.8
Local length	3.6mm
Video / Audio	
Video encode	H.264 Baseline Profile / H.264 Main Profile
Resolution	Main stream:1080p @ 30fps; Sub stream:540P(960*540)@ 30fps/VGA/1080P @ 1fps for snapshot
Bitrate	512Kbps~8Mbps
CBR/VBR	Support
MIC	Support
Network	
Ethernet interface	RJ-45 (10M/100M)
Protocol	IPv4/IPv6, HTTP, TCP/IP, UDP, UPnP, SNMP, RTSP, RTCP, RTP, SMTP, NTP, DHCP, DNS, PPPOE, DDNS, FTP, QoS
ONVIF	Supports
Network Preview	Web Server embedded, Support IE
Alarm	
Motion	Support
Alarm	No
General	
Power Supply	DC12V, PoN (Power by NVR mainboard)
Power Consumption	<5W
Operation Temperature	-10°C~+55°C
Operation Humidity	0% - 90%
Ingress Protection	IP66
Dimensions	Φ93mm × 80mm
Weight	0.4kg

** Design and specifications and subject to change without notice